

Last Spring, I replaced the living room heater because it started tripping its internal breaker. It is much more efficient and we have already noticed a reduction in the electricity usage. I just ordered two more.

Do It Center (ML)	\$ 229.99
Amazon.com	\$ 169.00
Home Depot	\$ 199.99



Available Downloads

- [Owner's Guide](#) : 436.2 kB

Other Links

- [Cleaning Instructions](#)
- [Frequently Asked Questions](#)

Features and Benefits

- Thermal Safeguard
 - High temperature manual reset: turns off heater if normal operating temperatures are exceeded
- Grill design provides dual heat distribution
- Fan provides quiet operation
- Built-in double pole thermostat
- Powder coat paint process eliminates sharp metal edges

General Information:

The SL Series is a high performance fan heater for medium to large areas. A unique fan reduces air turbulence, allowing The SL Series to deliver heat quietly, and dual warm exhausts provide even, efficient distribution of heat. The grill louvers are designed to conceal the internal components from view with an aesthetically pleasing look. Also included is an adjustable automatic quick-action thermostat control for your comfort and convenience.

Product Specifications

Part Number: 79222

Color: White

Item Dimensions

Weight: 9 Pounds

Technical Details

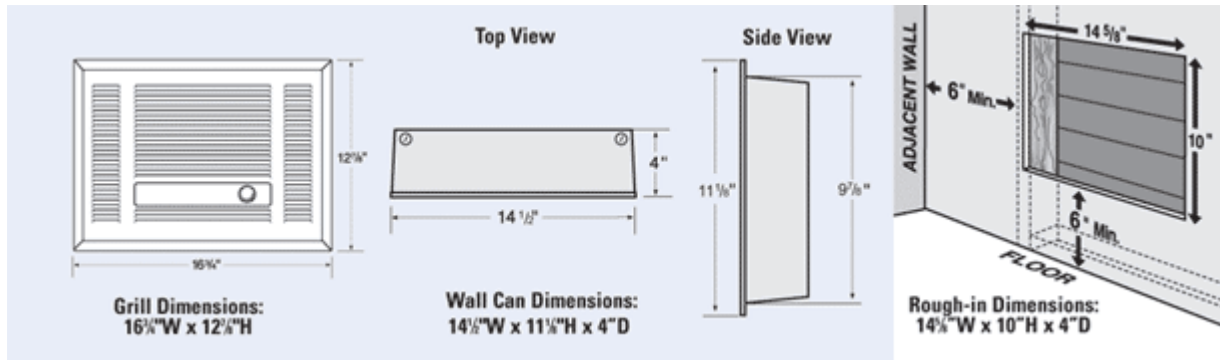
- Built-in thermostat
- Quiet

- o 16.75W x 12.875H
- o Fits 16" on center studs
- o 3000 W, 240 V

Product Description

General Information: The SL Series is a high performance fan heater for small to medium areas. A unique fan reduces air turbulence, allowing The SL Series to deliver heat quietly, and dual warm exhausts provide even, efficient distribution of heat. The grill louvers are designed to conceal the internal components from view. Also included is an adjustable automatic quick-action thermostat control for your comfort and convenience.

Architectural Information: Fan forced electric air heaters shall be UL Listed, factory rated at 120V, 208V, and dual field rated from 208V to 240V. A painted 22 gauge wall mounting can with 2 knockouts and 70 cubic inch wiring compartment shall be provided with each heating unit. The elements and blower shall be of unitized construction and attach to wall can with 4 screws. Elements shall be of nickel chrome type with an oversized 25 amp at 240V high temperature manual reset limit switch. Blowers delivering approximately 65 CFM shall be driven by an impedance protected motor. The motor shall be totally isolated from the heating chamber. Metal grill shall be of one piece, 22 gauge construction and finished with a powder coat paint system. NOTE: Manufacturer recommends installing heater assembly after walls are finished. Heater must be cleaned every six months minimum. Ordering Information: Available in White Rough In Dimensions: 14.125W x 10H x 4D Wall Can Dimensions: 15.375W x 10.75H x 4D Grill or Product Dimensions: 16.75W x 12.875H Built-in thermostat Quiet Dual exhaust Fits 16" on center studs 3000 W 240 V Fits wall can mfg. No. SLC (Ace No. 4063467)



[+image](#)



**Architectural Information:**

Fan forced electric air heaters shall be UL Listed, factory rated at 120V, and dual field rated 208V/240V. The elements and blower shall be of unitized construction and attach to wall can with four screws. Elements shall be of nichrome type with an oversized 25 amp at 240V high temperature manual reset limit switch. A blower delivering approximately 65 CFM shall be driven by an impedance protected motor. The motor shall be totally isolated from the heating chamber. Metal grill shall be of one piece, 22 gauge construction and finished with a powder coat paint system. A painted 22 gauge wall mounting can with 2 knockouts and 70 cubic inch wiring compartment is also available.

Technical Information:

All models come with a built-in double pole thermostat. Fan heaters work best when installed on an inside wall. UL requires heater to be placed a minimum distance of 6" from adjacent surfaces and 6" from the floor. Manufacturer recommends installation 12" from all surfaces. A 3' (91.44cm) minimum clearance is recommended for furniture or other objects placed directly in front of heater.

NOTE: Manufacturer recommends installing heater assembly after walls are finished. Heater must be cleaned every six months minimum.

Ordering Information:

Recess or surface mount wall cans sold separately. Available in white.

Rough In Dimensions: 14.625W x 10H x 4D
Wall Can Dimensions: 14.5W x 11.125H x 4D
Grill Dimensions: 16.75W x 12.875H

